

## Wall / Stand Mounted Charger GTB (OZEV approved)

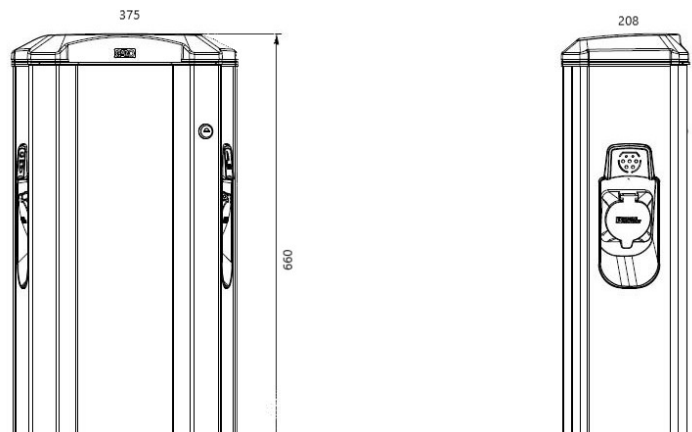
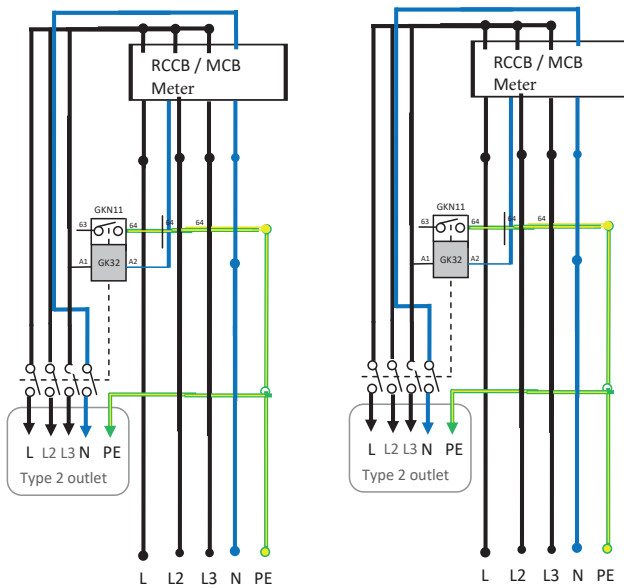
Type: GTB-B-DCM-T222WO-A-R-MC



Charging Mode	Mode 3
Socket or Tethered Lead	Socket (type 11) X 2
AC Output Current (A)	6,10,16,20,25,32
Power outlet [kW]	3.7KW - 22KW
Rated voltage [V AC]	230 / 400
Frequency [Hz]	50
Temperature range [C]	-25...+40
Degree of protection (IP)	44
Weight(KG)	20
Location	Wall / Stand mounted
DC Monitoring	Yes,
Load management	Standard with GNM3D / 3T
Local Meter	Standard
Communication	4G
RFID	Standard
Protocol	OCPP1.5 / 1.6
Certification	EN 61851-1, IEC 61439-7

First Socket

Second Socket





Dokument/document		Utgåva datum/edition date
Försäkran om överensstämmelse/ Declaration of conformity		2020-04-08
Avdelning/department		
Produkt/Product		
Ansvarig/prepared	Version	Sida/page
Peter Magnusson	7	1 av/of 1

**Manufacturer/Tillverkare:** GARO AB  
Box 203  
S-335 25 GNOSJÖ  
Sweden

Telephone: +46 (0)370 33 28 00  
Internet: www.garo.se

**Agent established within EC/Ombud etablerad inom EG**

Telephone:  
Internet:

**Agent of equipment/Materielslag:** Electric Vehicle charger

**Trade Mark/Varumärke:** GARO

**Type Designation/Typbeteckning:** GTB-B-DCM-T274WO-A-R-MC, .GTB-B-DCM-T222WO-A-R-MC  
GTB-B-DCM-T274WO-A-R-LAN, GTB-B-DCM-T222WO-A-R-LAN

**We hereby declare that our product fulfils the requirements of following EC directives/  
Vi intygar härmed att vår produkt uppfyller krav enligt följande EU direktiv:**

- The Low Voltage Directive (LVD) 2014/35/EU / Lågspänningsdirektivet (LVD) 2014/35/EU.**
- Electromagnetic compatibility (EMC) 2014/30/EU / Elektromagnetisk kompatibilitet (EMC) 2014/30/EU.**
- Radio Equipment Directive 2014/53/EU (RED) 2014/30/EU / Radiodirektivet (RED) 2014/53/EU.**
- RoHS Directive (RoHS) 2011/65/EU / RoHS direktivet (RoHS) 2011/65/EU.**
- No electromagnetic compatibility (EMC 2014/30/EU) immunity or emission tests are required on the assembly / Produkten innehåller inte elektroniska apparater som påverkas enligt förbehållen enligt direktivet (EMC) 2014/30/EU.**

**The following harmonised standards (latest edition) or technical specifications which comply with good engineering practice in safety matters in force within the EC have been used in the design:/**

Följande harmoniserade standarder (senaste utgåva) eller tekniska specifikationer som uppfyller god säkerhetsteknik praxis inom EG har använts i konstruktionen: **EN 61851-1, BS EN 61851-1:2019, EN 62196-2 and/och IEC/TS 61439-7.**

- The equipment confirms completely with the above stated harmonised standards or technical specifications./**  
Materielen överensstämmer helt med ovan angivna harmoniserade standarder eller tekniska specifikationer.

**Or/Eller**

- The equipment confirms only partially with the above stated harmonised standards or technical specifications but complies with good practice in safety matters in force within the EC./**  
Materielen överensstämmer endast delvis med ovan angivna harmoniserade standarder eller tekniska specifikationer, men uppfyller god säkerhetsteknisk praxis inom EG.

**We have product surveillance according to CENELEC's harmonised requirements, documents CCA-201.**

GARO AB  
Company/Företag

2020-04-08  
Date/Datum

Sign/Underskrift

Product Manager /Produktchef  
Position/Befattning

Peter Magnusson  
Sign in printed letters/Namnförtydligande